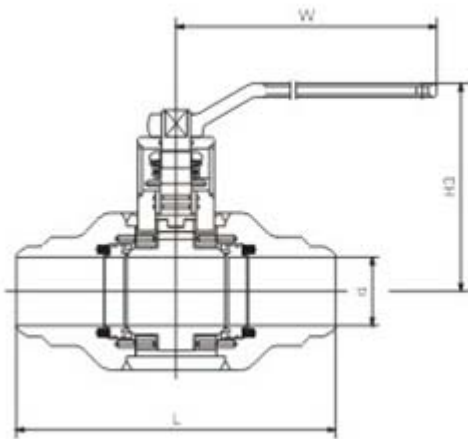




Technical Parameters of Fully Welded Ball Valve



Class 150/class300

Dimensions (Inch)

CLASS	NPS	d	L	H1	H2	H3	W
150Lb 300Lb	2	2	8.5	7.08	7.48	7.68	13.78
	3	3	11.125	7.87	8.27	8.27	15.75
	4	4	12	8.86	8.66	8.46	19.69
	6	6	18	11.22	11.42	--	--
	8	8	20.5	12.40	12.80	--	--
	10	10	22	12.99	16.14	--	--
	12	12	25	16.93	17.13	--	--
	14	13.25	30	18.30	18.90	--	--
	16	15.25	33	19.49	19.88	--	--
	18	17.25	36	23.03	23.81	--	--
	20	19.25	39	24.01	24.06	--	--
24	23.25	45	25	25.98	--	--	

Dimensions (Mm)

PN	DN	d	L	H1	H2	H3	W
2.0MPa 5.0MPa	50	50	216	180	190	195	350
	80	76.2	283	200	210	210	400
	100	101.6	305	225	220	215	500
	150	152	457	285	290	--	--
	200	203	521	315	325	--	--
	250	254	559	330	410	--	--
	300	305	635	430	435	--	--
	350	337	762	465	480	--	--
	400	387	838	495	505	--	--
	450	438	914	585	605	--	--
	500	489	991	610	625	--	--
	600	591	1143	635	660	--	--

Wenzhou Kerui Valve Industry Co., LTD

Address:

No.1 Tantou Village, Yongqiang High-tech Park, Longwan District, Wenzhou City, China

Post Code: 328024

Tel: +86-577-86928881 / +86-577-86990007

Fax: +86-577-86912312

E-mail: sale@createvalve.com / offer@createvalve.com



Class600

CLASS	NPS	d	L	H1	H2	H3	W
600Lb	2	2	11.5	7.08	7.48	7.68	23.62
	3	3	14	7.87	8.27	8.27	39.37
	4	4	17	8.86	8.66	8.46	59.05
	6	6	22	11.22	11.42	--	--
	8	8	26	12.40	12.80	--	--
	10	10	31	12.99	16.14	--	--
	12	12	33	16.93	17.13	--	--
	14	13.25	35	18.30	18.90	--	--
	16	15.25	39	19.49	19.88	--	--
	18	17.25	43	23.03	23.81	--	--
	20	19.25	47	24.01	24.06	--	--
24	23.25	55	25	25.98	--	--	

PN	DN	d	L	H1	H2	H3	W
10.0 MPa	50	50	292	180	190	195	600
	80	76.2	355.6	200	210	210	1000
	100	101.6	431.8	225	220	215	1500
	150	152	558.8	285	290	--	--
	200	203	660.4	315	325	--	--
	250	254	787.4	330	410	--	--
	300	305	838.2	430	435	--	--
	350	337	889	465	480	--	--
	400	387	990.6	495	505	--	--
	450	438	1092.2	585	605	--	--
	500	489	1193.8	610	625	--	--
	600	591	1397	635	660	--	--

Wenzhou Kerui Valve Industry Co., LTD

Address:

No.1 Tantou Village, Yongqiang High-tech Park, Longwan District, Wenzhou City, China

Post Code: 328024

Tel: +86-577-86928881 / +86-577-86990007

Fax: +86-577-86912312

E-mail: sale@createvalve.com / offer@createvalve.com