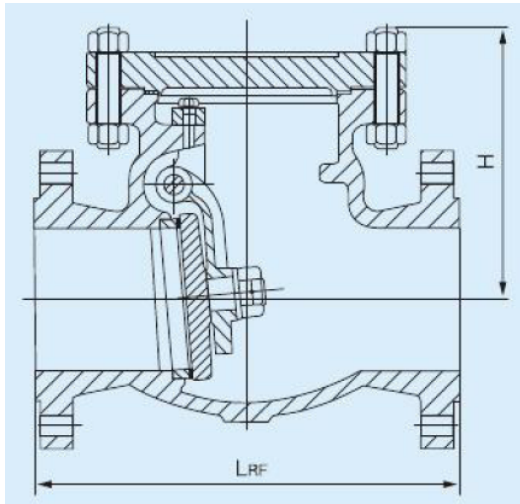




150LB API Flange Cast Steel Swing Type Check Valve



Parameters

Pressure Class	Size		Main Dimensions				Weight(KG)		Cv
	mm	in.	L(RF)	L(BW)	L(RJ)	H	RF	BM	
150	40	1-1/2	165	165	178	147	13	9	—
	50	2	203	203	216	151	17	12	—
	65	2-1/2	216	216	229	164	23	15	—
	80	3	241	241	254	178	29	19	285
	100	4	292	292	305	190	40	27	520
	150	6	356	356	368	228	78	56	1245
	200	8	495	495	508	292	140	104	2280
	250	10	622	622	635	304	215	178	3570
	300	12	699	699	711	342	295	220	5300
	350	14	787	787	800	406	408	308	6500
	400	16	864	864	876	508	533	413	8615
	450	18	978	978	991	584	670	530	11500
	500	20	978	978	991	622	1000	830	14300
	600	24	1295	1295	1308	711	1950	1710	20865
	650	26	1295	1295	—	762	2300	2035	25165
	700	28	1448	1448	—	838	2500	2190	29513
	750	30	1524	1524	—	889	2600	2244	33910
800	32	1727	1727	—	1016	2800	2345	43130	
900	36	1955	1955	—	1092	3200	2613	61570	

Wenzhou Kerui Valve Industry Co., LTD

Address:

No.1 Tantou Village, Yongqiang High-tech Park, Longwan District, Wenzhou City, China

Post Code: 328024

Tel: +86-577-86928881 / +86-577-86990007

Fax: +86-577-86912312

E-mail: sale@createvalve.com / offer@createvalve.com