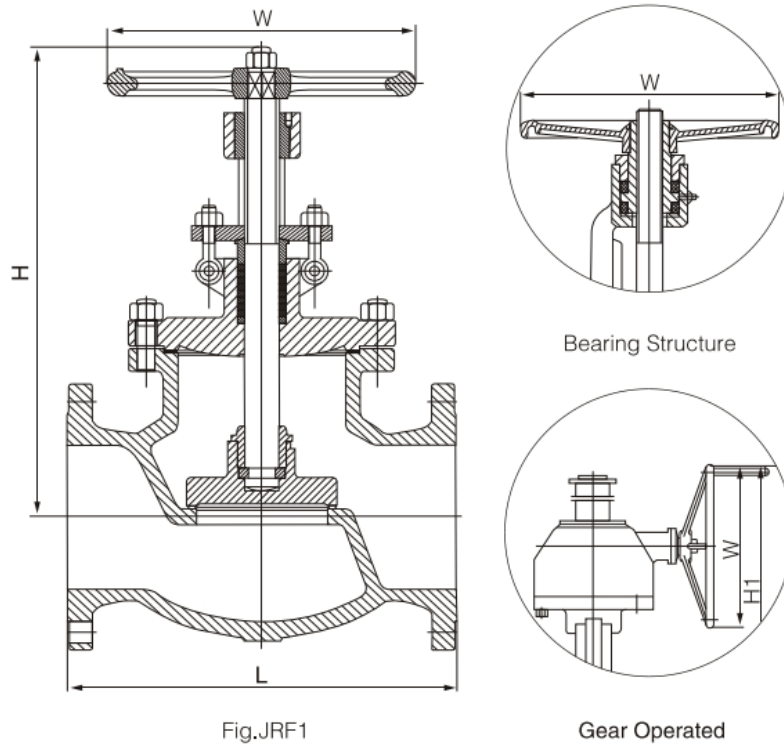




API 300LB Flange Cast Steel Globe Valve



Pressure: Class 300

Bolted Bonnet

Class 150, 14° and above: With Bearing Structure.

Class 300, 10° and above: With Bearing Structure

Class 300, 16° and above: Gear Operated

Wenzhou Kerui Valve Industry Co., LTD

Address:

No.1 Tantou Village, Yongqiang High-tech Park, Longwan District, Wenzhou City, China

Post Code: 328024

Tel: +86-577-86928881 / +86-577-86990007

Fax: +86-577-86912312

E-mail: sale@createvalve.com / offer@createvalve.com



Parameters

No.	Part Name	Carbon Steel	Stainless Steel	Alloy Steel	Low Temperature Steel
1	Body	A216 GR WCB	A351 GR CF8	A217 GR WC6	A352 GR LCB
2	Seat	A105	/	A182 GR F304	A182 GR F304
3	Disk	A216 GR WCB	A351 GR CF8	A217 GR WC6	A352 GR LCB
4	Stem	A276 TYPE410	A276 TYPE304	A182 GR F22	A276 TYPE 304
5	Bolt	A193 GR B7	A193 GR 8	A193 GR B7	A193 GR 8
6	Nut	A194 GR 2H	A194 GR B8	A194 GR 4	A194 GR B8
7	Back Seat	A182GR F6a	A182 GR F304	A182 GR F304	A182 GR F304
8	Gasket	Graphite+SS304			
9	Packing	Graphite			
10	Pin	A194 GR 2H	A276 TYPE304	A276 TYPE 410	A276 TYPE 304
11	Packing Bushing	A182GR F6a	A182 GR F304	A182 GR F6a	A182 GR F304
12	Eyebolt	A193 GR B7	A193 GR 8	A193 GR B7	A193 GR 8
13	Eyebolt Nut	A194 GR 2H	A194 GR B8	A194 GR 4	A194 GR B8
14	Gland	A216 GR WCB	A351 GR CF8	A216 GR WCB	A352 GR LCB
15	Bonnet	A216 GR WCB	A351 GR CF8	A216 GR WCB	A352 GR LCB
16	Stem Nut	B148 UNS C95600	B148 UNS C95600	B148 UNS C95600	B148 UNS C95600
17	Handwheel I	A197	A197	A197	A197
18	Handwheel I Nut	A108 GR 1020	A182 GR F304	A108 GR 1020	A182 GR F304

Class	Size		Dimensions						Weight(Kg)		Torque	Cv
	mm	in.	L (RF)	L (BW)	L(RJ)	H	H1	W	RF	BW		
	40	1 1/2	229	229	241	36 5	-	200	27	21	24	-
	50	2	267	267	283	43	-	200	36	30	30	-

Wenzhou Kerui Valve Industry Co., LTD

Address:

No.1 Tantou Village, Yongqiang High-tech Park, Longwan District, Wenzhou City, China

Post Code: 328024

Tel: +86-577-86928881 / +86-577-86990007

Fax: +86-577-86912312

E-mail: sale@createvalve.com / offer@createvalve.com



300						5						
	65	2 1/2	292	292	308	47 6	-	250	47	39	51	-
	80	3	318	318	333	47 9	-	250	62	50	85	100
	100	4	356	356	371	58 1	-	350	102	83	145	185
	150	6	444	444	460	65 7	-	450	176	146	319	440
	200	8	559	559	575	72 4	-	450	288	244	617	810
	250	10	622	622	638	80 0	-	860	571	505	1126	1260
	300	12	711	711	727	90 0	-	860	770	669	1988	1890
	350	14	838	828	-	10 92	-	860	876			2441
	400	16	863	863	-	-	1371	610	1200			3234
	450	18	977	977	-	-	1473	610	1600			4183
	500	20	1016	1016	-	-	1574	720	2100			5226
	600	24	1346	1346	-	-	1803	720	3150			7657

These parameters are for reference only. Specific information is subject to our drawing paper. Please contact us for other or more data.

Wenzhou Kerui Valve Industry Co., LTD

Address:

No.1 Tantou Village, Yongqiang High-tech Park, Longwan District, Wenzhou City, China

Post Code: 328024

Tel: +86-577-86928881 / +86-577-86990007

Fax: +86-577-86912312

E-mail: sale@createvalve.com / offer@createvalve.com