



API 150LB Flange Cast Steel Globe Valve



Structure Diagram

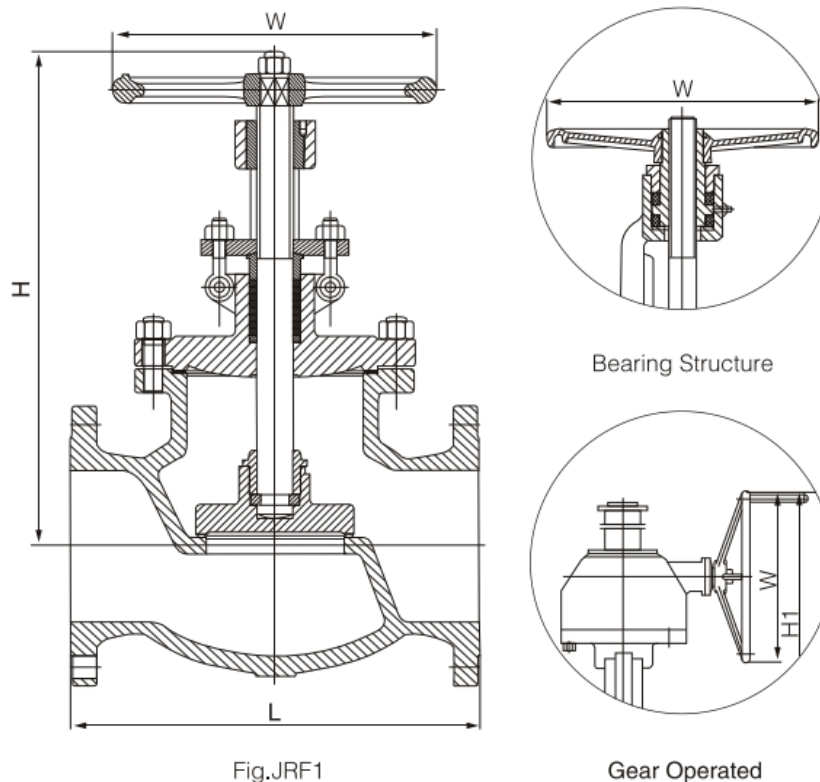


Fig.JRF1

Gear Operated

Pressure: Class 150

Bolted Bonnet

Class 150, 14° and above: With Bearing Structure

Class 300, 10° and above: With Bearing Structure

Class 300, 16° and above: Gear Operated

Wenzhou Kerui Valve Industry Co., LTD

Address:

No.1 Tantou Village, Yongqiang High-tech Park, Longwan District, Wenzhou City, China

Post Code: 328024

Tel: +86-577-86928881 / +86-577-86990007

Fax: +86-577-86912312

E-mail: sale@createvalve.com / offer@createvalve.com



Parameters

No.	Part Name	Carbon Steel	Stainless Steel	Alloy Steel	Low Temperature Steel
1	Body	A216 GR WCB	A351 GR CF8	A217 GR WC6	A352 GR LCB
2	Seat	A105	/	A182 GR F304	A182 GR F304
3	Disk	A216 GR WCB	A351 GR CF8	A217 GR WC6	A352 GR LCB
4	Stem	A276 TYPE410	A276 TYPE304	A182 GR F22	A276 TYPE 304
5	Bolt	A193 GR B7	A193 GR 8	A193 GR B7	A193 GR 8
6	Nut	A194 GR 2H	A194 GR B8	A194 GR 4	A194 GR B8
7	Back Seat	A182GR F6a	A182 GR F304	A182 GR F304	A182 GR F304
8	Gasket	Graphite+SS304			
9	Packing	Graphite			
10	Pin	A194 GR 2H	A276 TYPE304	A276 TYPE 410	A276 TYPE 304
11	Packing Bushing	A182GR F6a	A182 GR F304	A182 GR F6a	A182 GR F304
12	Eyebolt	A193 GR B7	A193 GR 8	A193 GR B7	A193 GR 8
13	Eyebolt Nut	A194 GR 2H	A194 GR B8	A194 GR 4	A194 GR B8
14	Gland	A216 GR WCB	A351 GR CF8	A216 GR WCB	A352 GR LCB
15	Bonnet	A216 GR WCB	A351 GR CF8	A216 GR WCB	A352 GR LCB
16	Stem Nut	B148 UNS C95600	B148 UNS C95600	B148 UNS C95600	B148 UNS C95600
17	Handwheel	A197	A197	A197	A197
18	Handwheel Nut	A108 GR 1020	A182 GR F304	A108 GR 1020	A182 GR F304

Main Dimensions and Weight

Class	Size		L(R F)	L(B W)	L(RT J)	H	H1	W	Weight		Torque	Cv
	mm	in.							RF	BW		
150	40	1 1/2	165	165	178	28		200	14	11	16	

Wenzhou Kerui Valve Industry Co., LTD

Address:

No.1 Tantou Village, Yongqiang High-tech Park, Longwan District, Wenzhou City, China

Post Code: 328024

Tel: +86-577-86928881 / +86-577-86990007

Fax: +86-577-86912312

E-mail: sale@createvalve.com / offer@createvalve.com



	2				9							
5	2	203	203	216	34 3		200	23	19			
65	2 1/2	216	216	229	36 8		250	32	25	29		
80	3	241	241	254	37 5		250	38	31	45	10 0	
100	4	292	292	305	44 8		250	63	53	67	18 5	
150	6	406	406	419	58 4		350	108	90	129	44 0	
200	8	495	495	508	66 0		450	186	16 4	245	81 0	
250	10	622	622	6358	68 3		450	271	23 9	385	12 60	
300	12	698	698	711	79 4		610	374	32 6	601	18 90	
350	14	787	787	800	88 9		610	610		649	24 41	
400	16	914	914	927		97	720	880			32 34	
450	18	977	977			106 6	720	115 0			43 08	
500	20	977	977			111 7	720	165 0			53 64	
600	24	129 5	1295			129 5	850	220 0			78 25	

These parameters are for reference only. Specific information should be subject to the drawing paper. Please contact us for other or more sizes.

Wenzhou Kerui Valve Industry Co., LTD

Address:

No.1 Tantou Village, Yongqiang High-tech Park, Longwan District, Wenzhou City, China

Post Code: 328024

Tel: +86-577-86928881 / +86-577-86990007

Fax: +86-577-86912312

E-mail: sale@createvalve.com / offer@createvalve.com