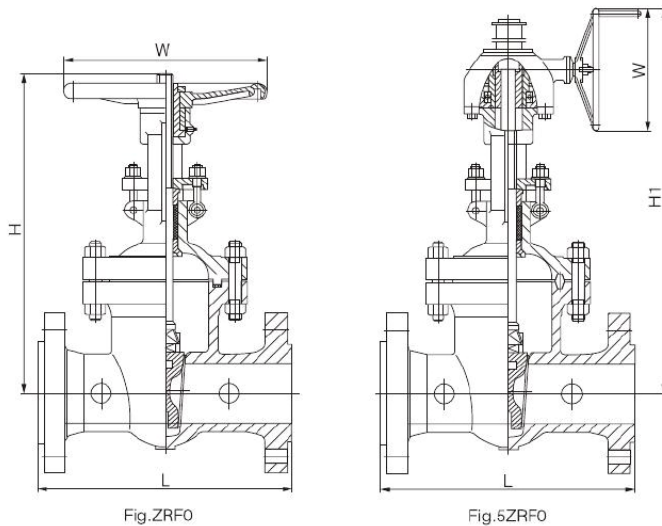




900LB



Structure



Pressure: Class900-1500

Bolted bonnet

Flexible wedge gate

8° and above: two piece yoke

Class900: 16° and above

Wenzhou Kerui Valve Industry Co., LTD

Address:

No.1 Tantou Village, Yongqiang High-tech Park, Longwan District, Wenzhou City, China

Post Code: 328024

Tel: +86-577-86928881 / +86-577-86990007

Fax: +86-577-86912312

E-mail: sale@createvalve.com / offer@createvalve.com



Class1500: 12° and above

Gear operated

Main Dimensions & Weight

Size		Dimensions						Weight (kg)		(N.m)	Cv
mm	in	L(RF)	L(RW)	L(RM)	H	H1	W	RF	RM	Torque	
40	1-1/2	305	305	305	495	-	250	62	45	24	-
50	2	368	368	371	523	-	250	116	98	39	-
65	2-1/2	381	419	422	577	-	350	142	130	56	-
80	3	719	381	384	609	-	350	161	136	64	650
100	4	457	457	460	673	-	350	214	180	118	1200
150	6	610	610	613	863	-	610	408	405	243	2850
200	8	737	737	740	1079	-	610	731	644	427	5025
250	10	838	838	841	1231	-	720	1151	1010	783	7850
300	12	965	965	968	1384	-	720	1724	1455	1163	11500
350	14	1029	1029	1038	1574	-	850	2060	1807	1331	13900
400	16	1130	1130	1140	-	2159	760	2400	-	-	18150
450	18	1219	1219	1232	-	2362	760	3000	-	-	23910
500	20	1321	1321	1334	-	2463	760	3800	-	-	29550
600	24	1549	1549	1568	-	3048	900	4900	-	-	42570

Wenzhou Kerui Valve Industry Co., LTD

Address:

No.1 Tantou Village, Yongqiang High-tech Park, Longwan District, Wenzhou City, China

Post Code: 328024

Tel: +86-577-86928881 / +86-577-86990007

Fax: +86-577-86912312

E-mail: sale@createvalve.com / offer@createvalve.com